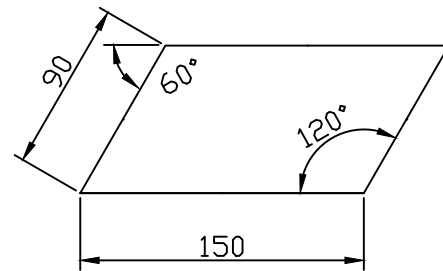
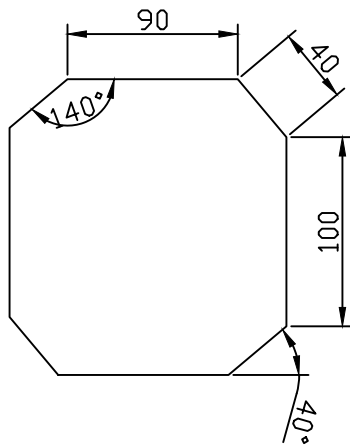
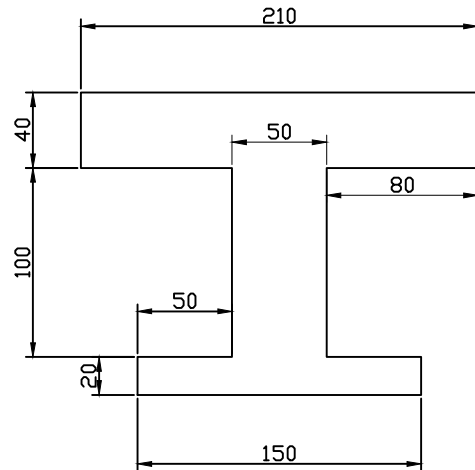
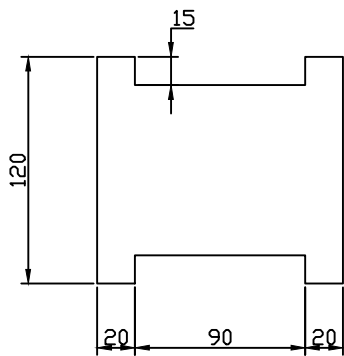
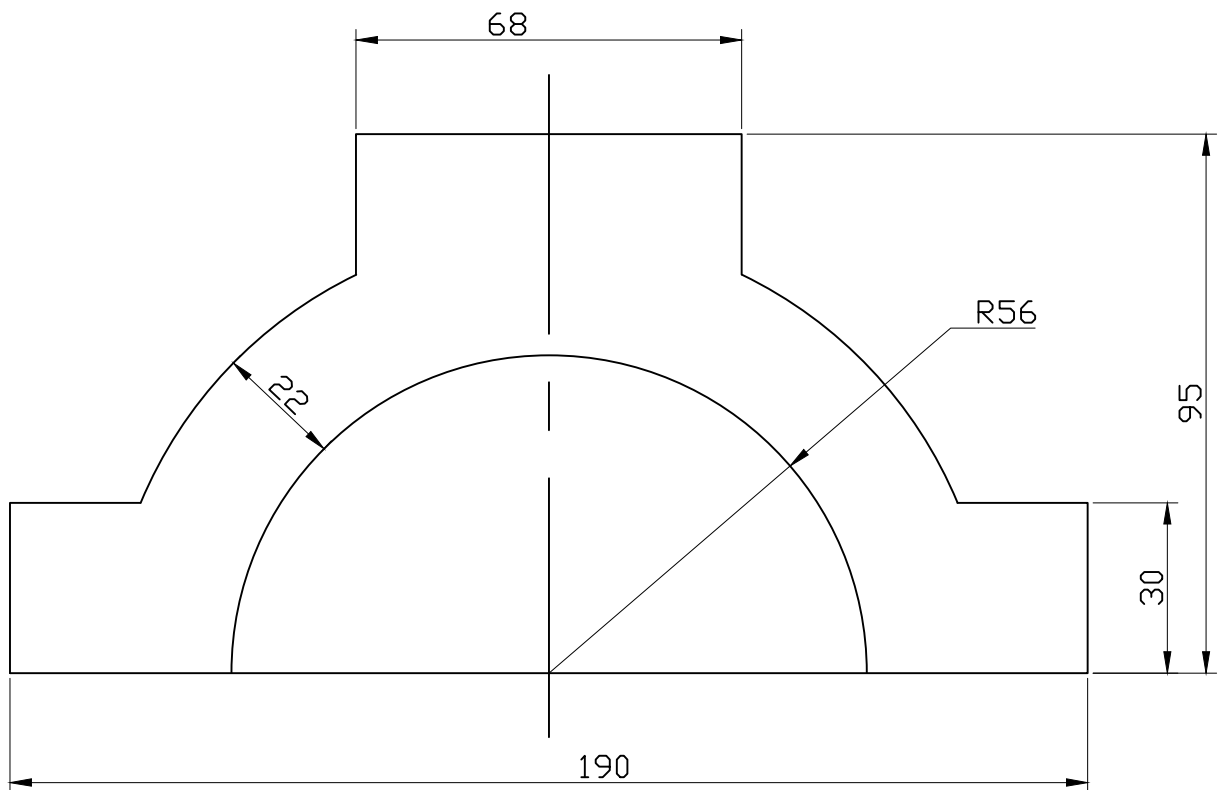
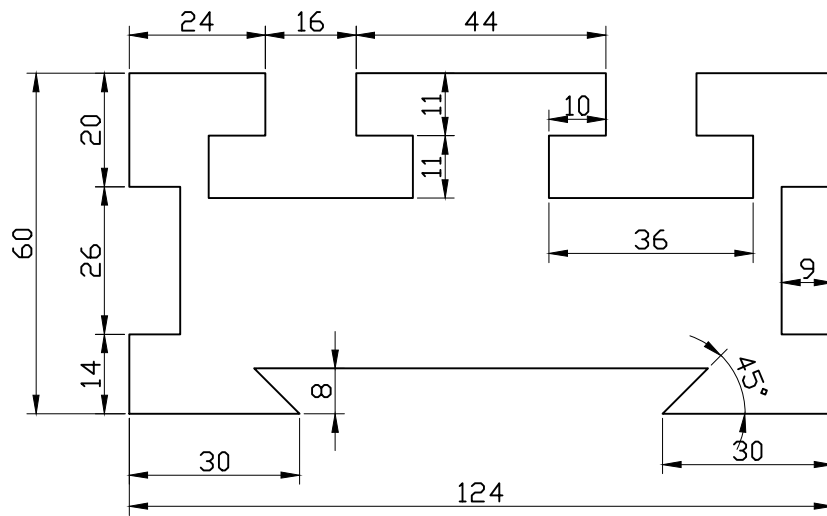


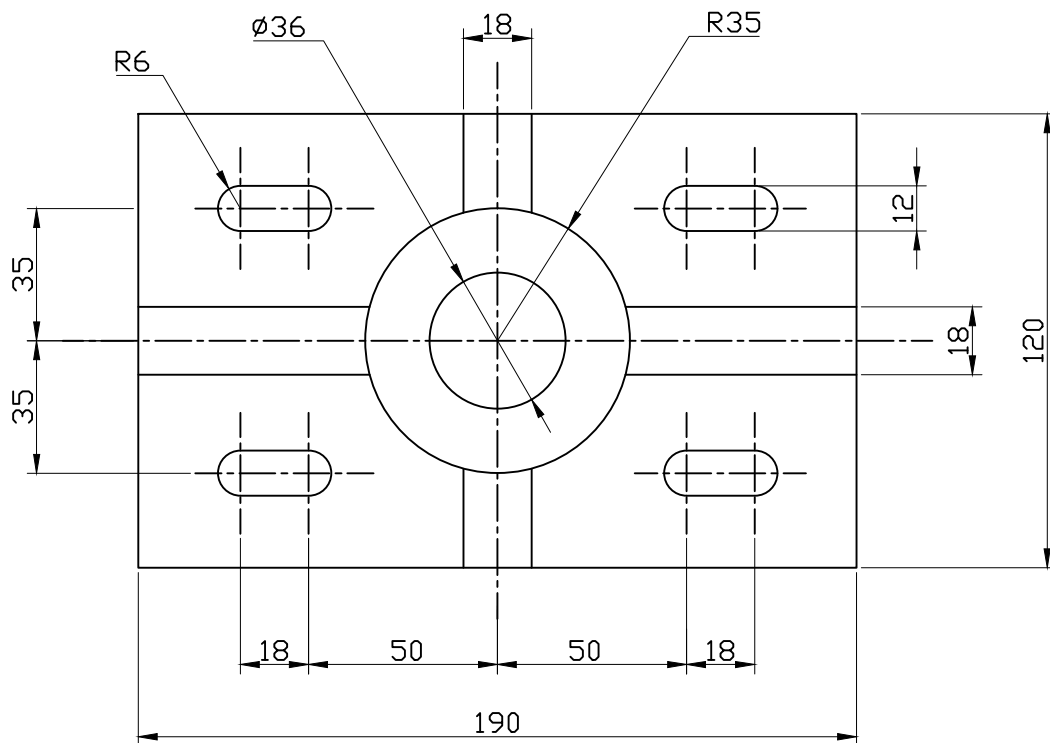
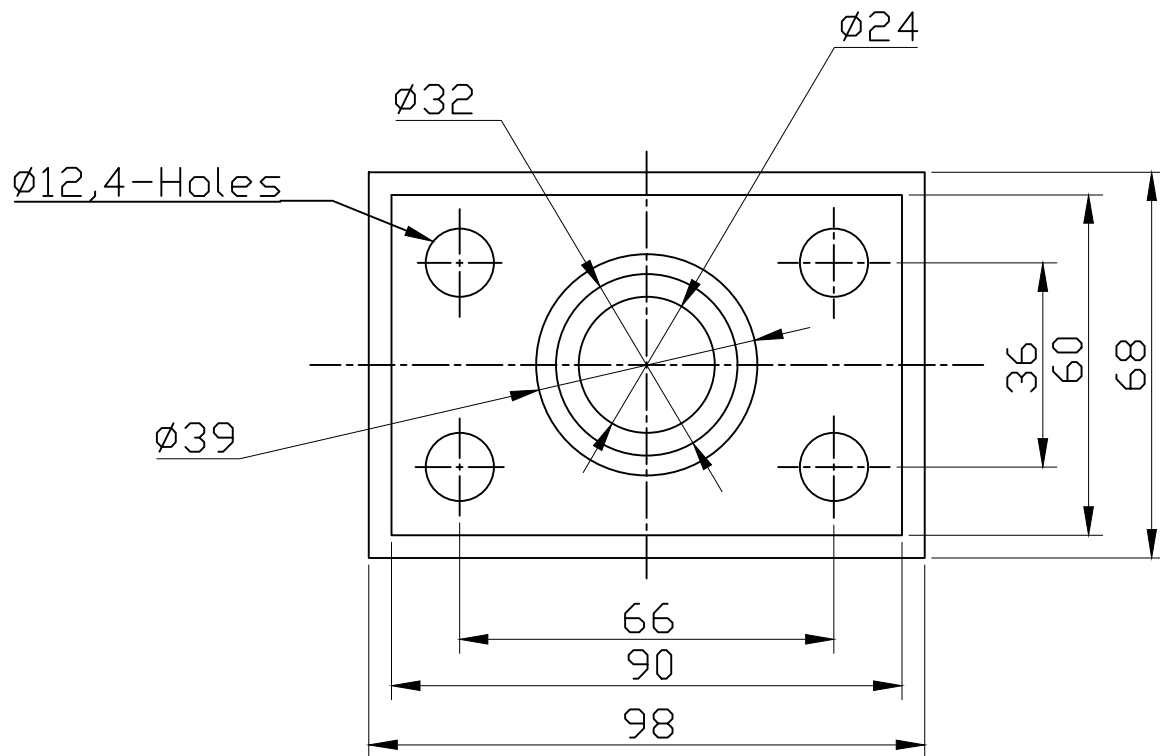
# Assignment No. 1



# Assignment No. 2

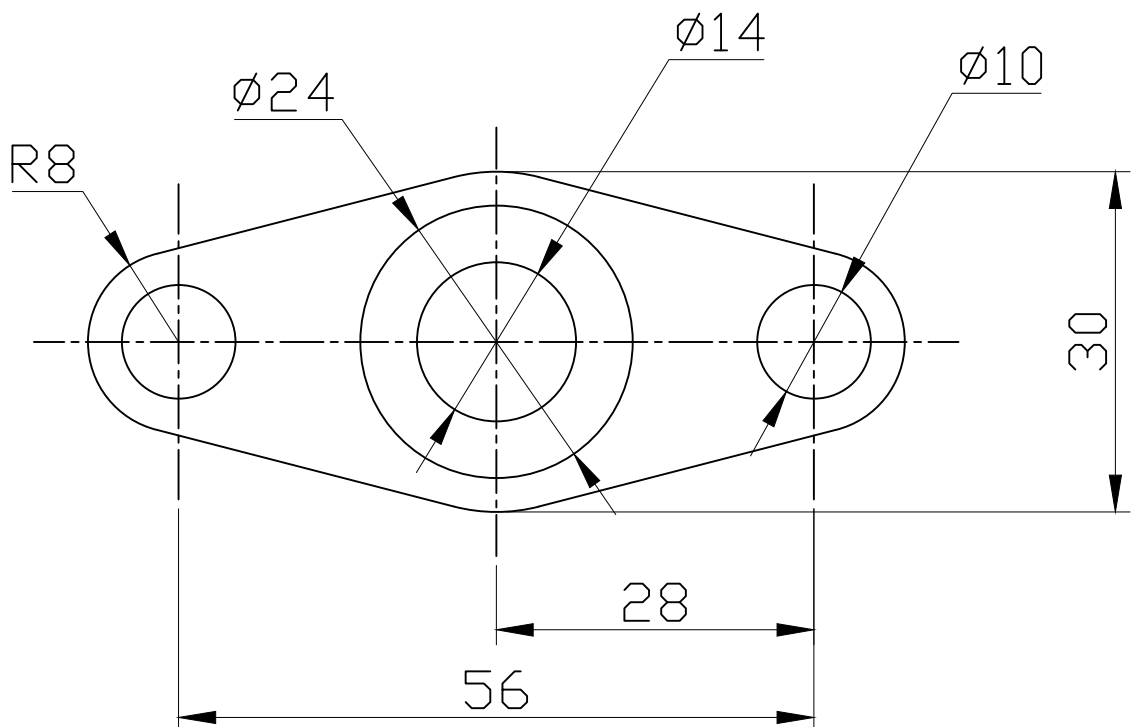
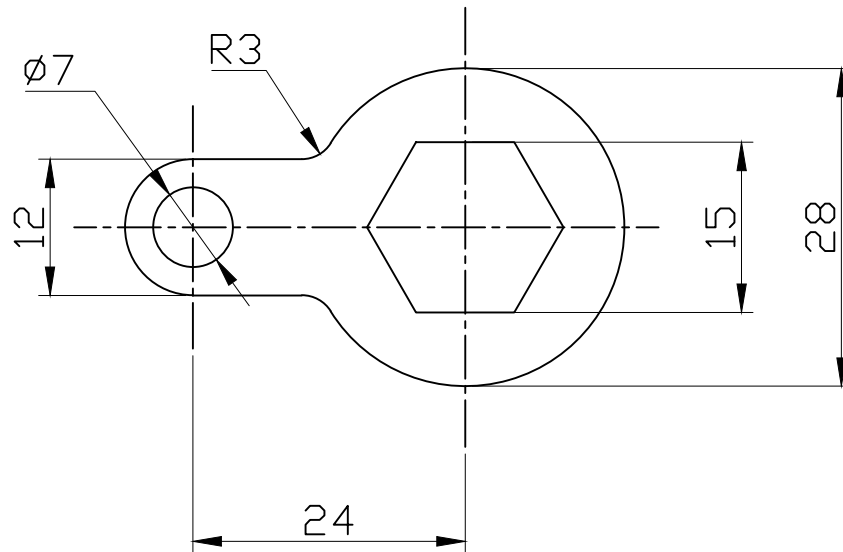


# Assignment No. 3

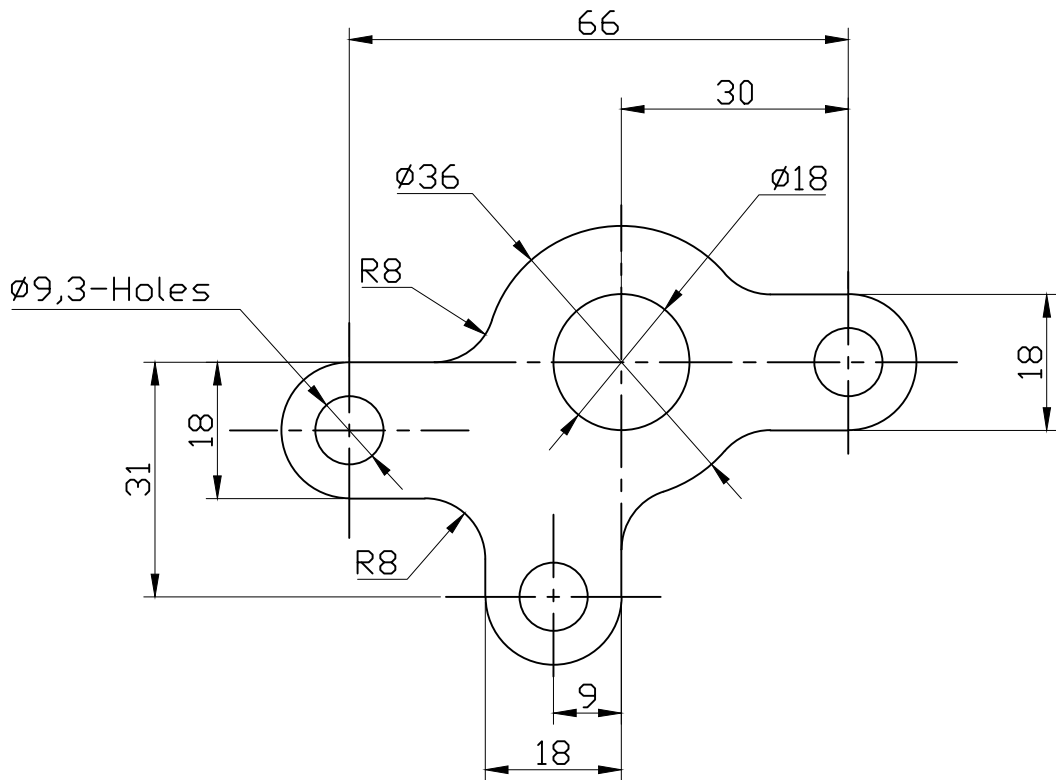




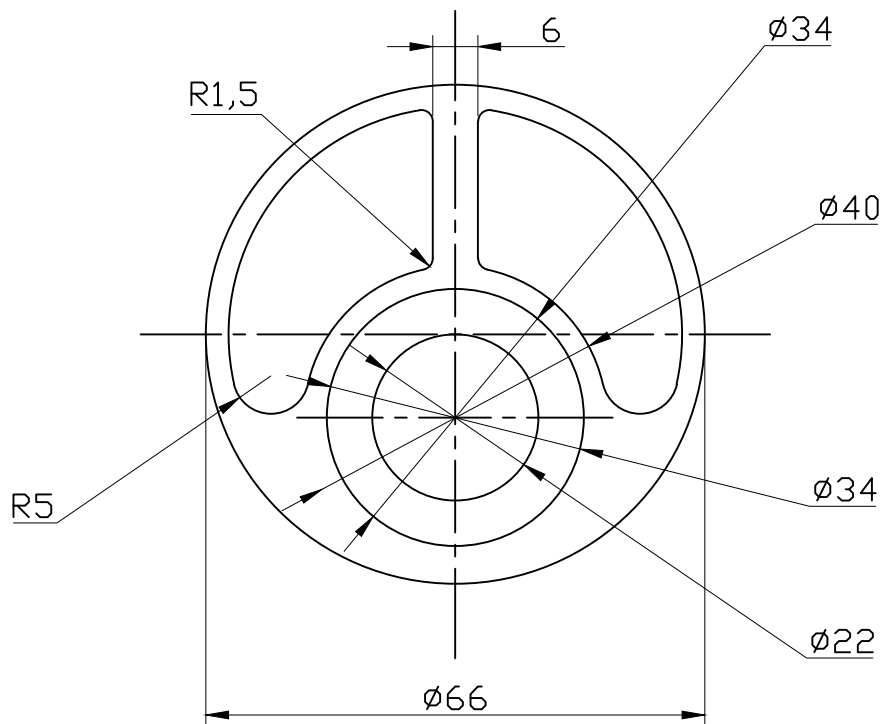
# Assignment No. 5



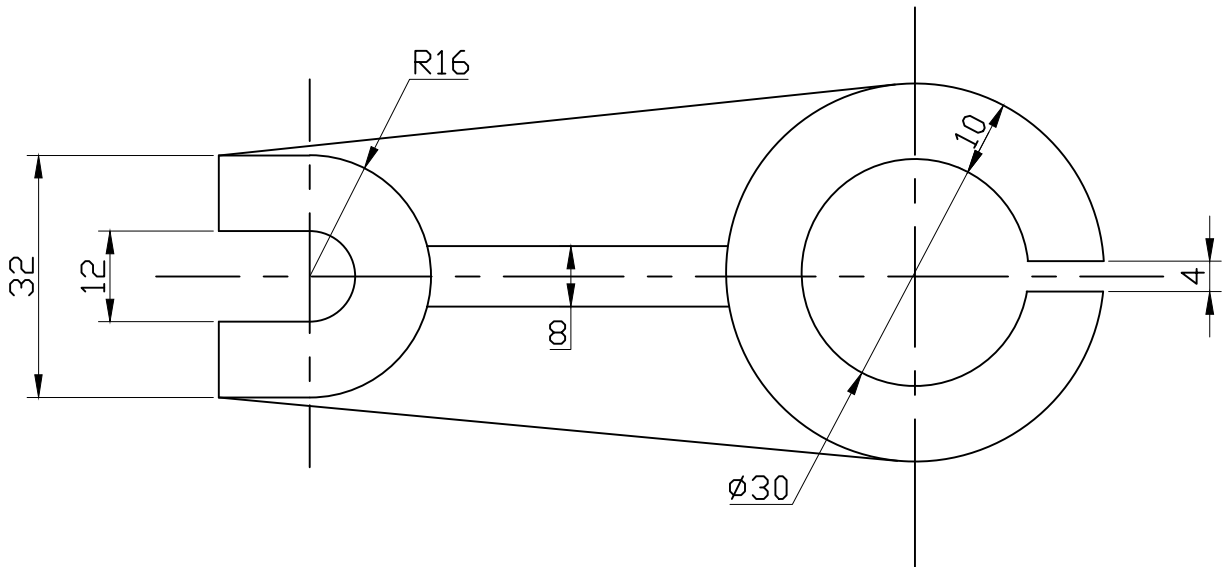
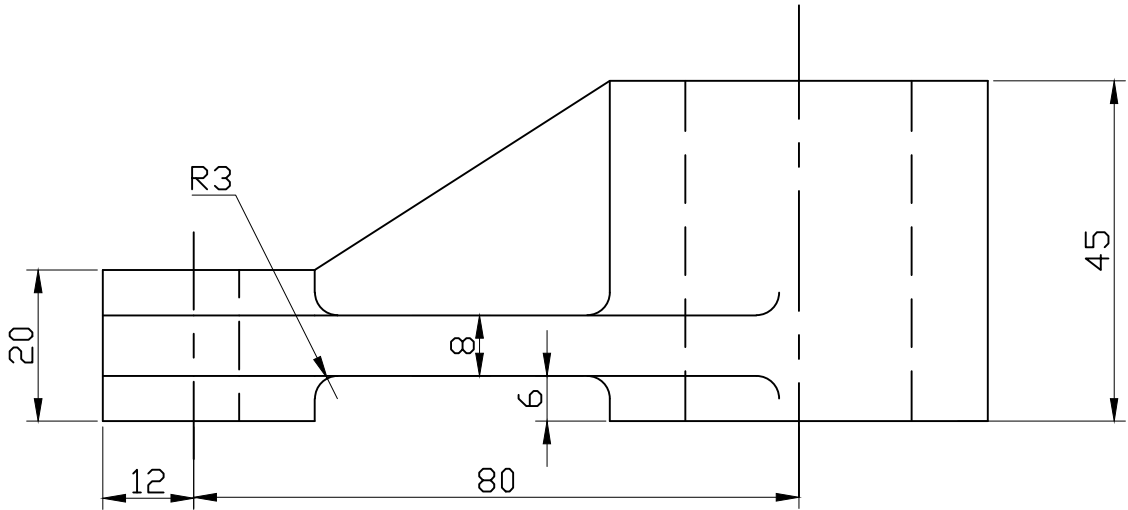
# Assignment No. 6



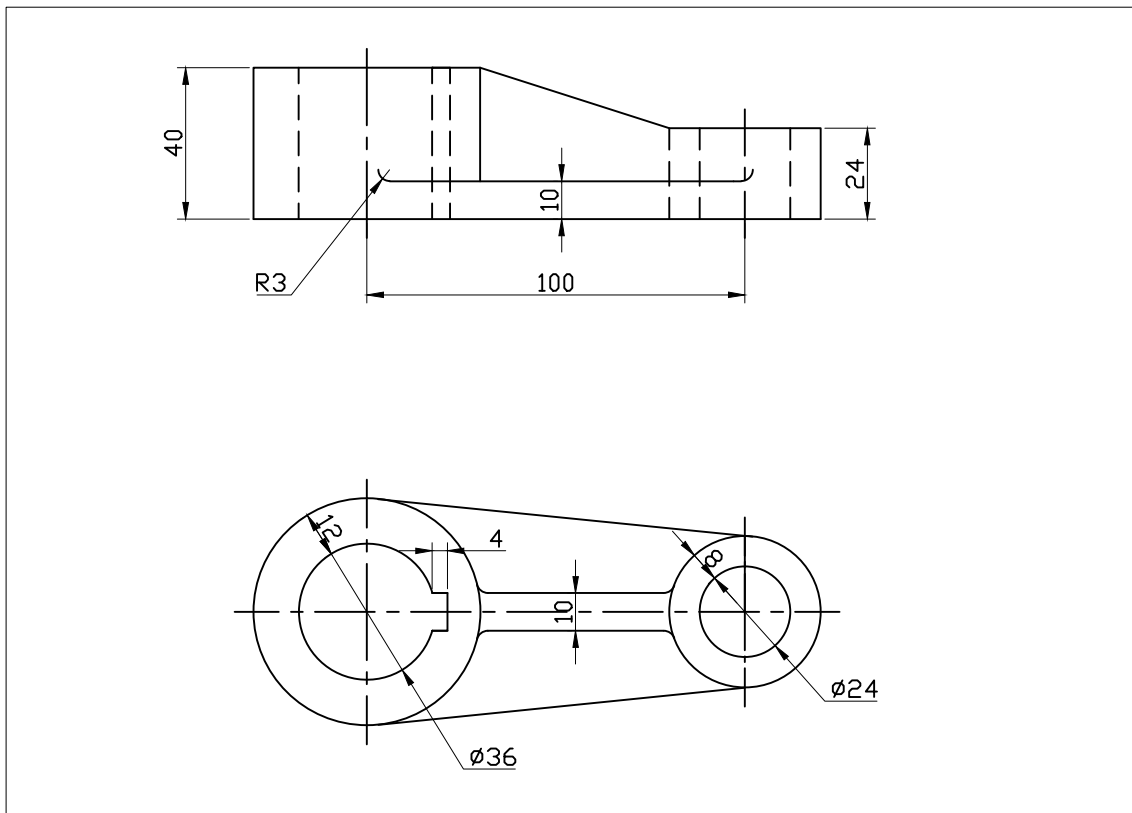
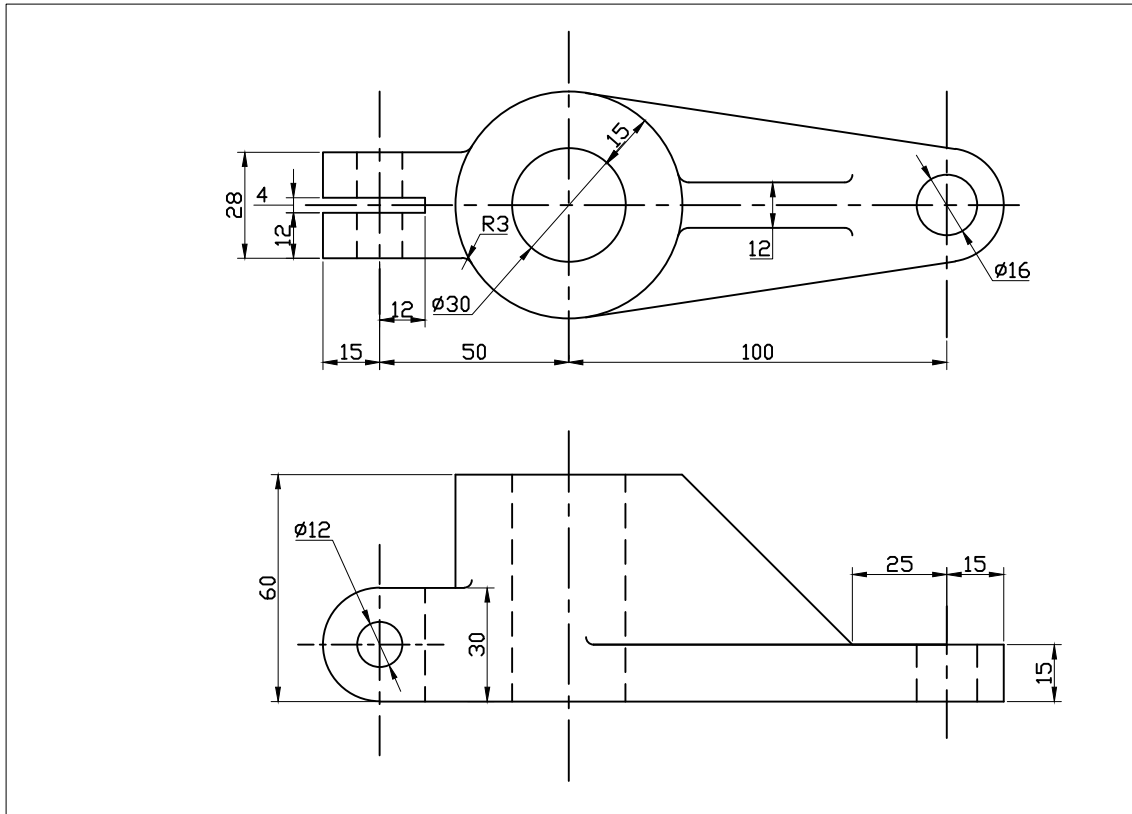
R



# Assignment No. 7

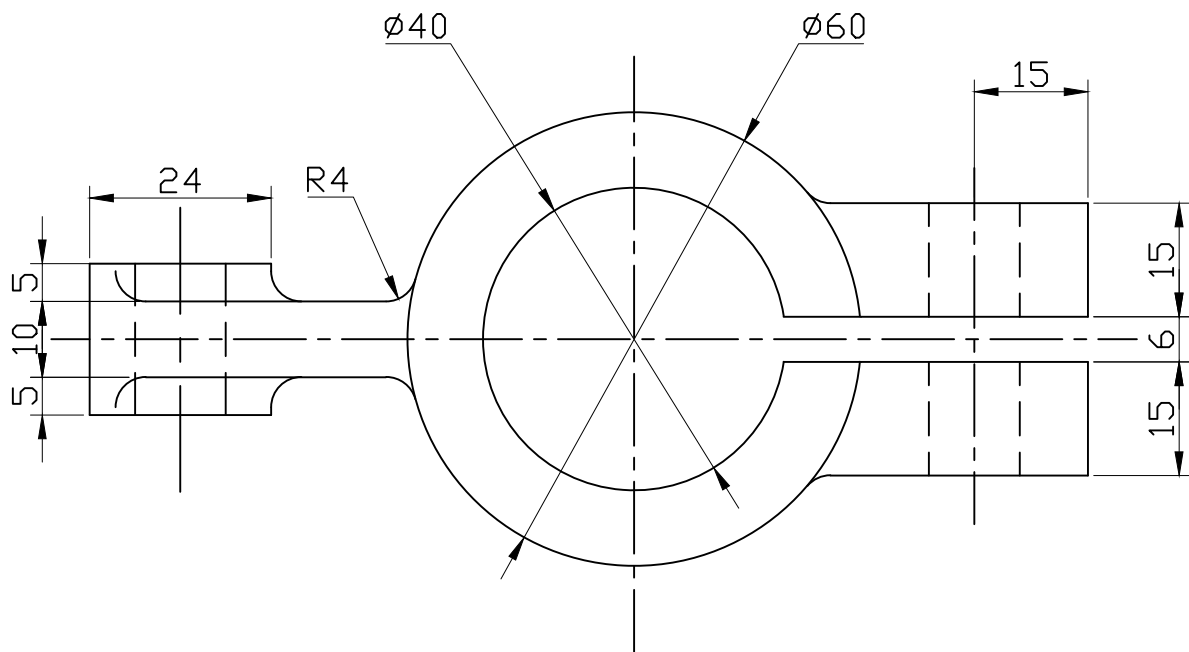
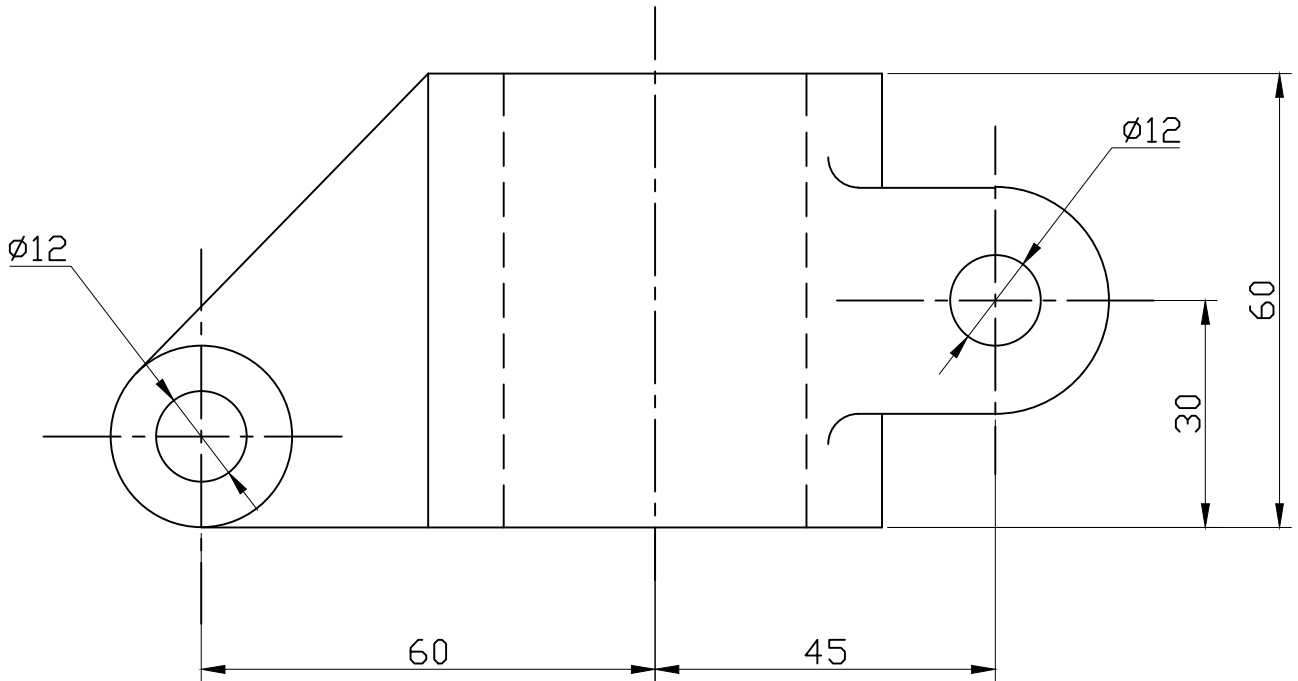


# Assignment No. 8

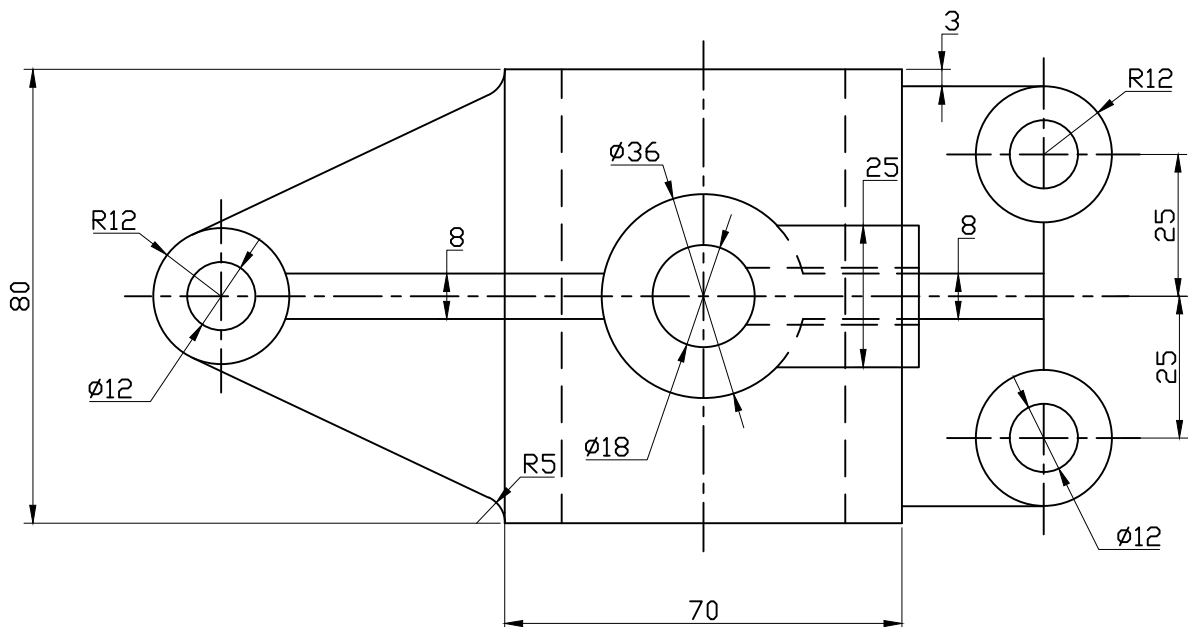
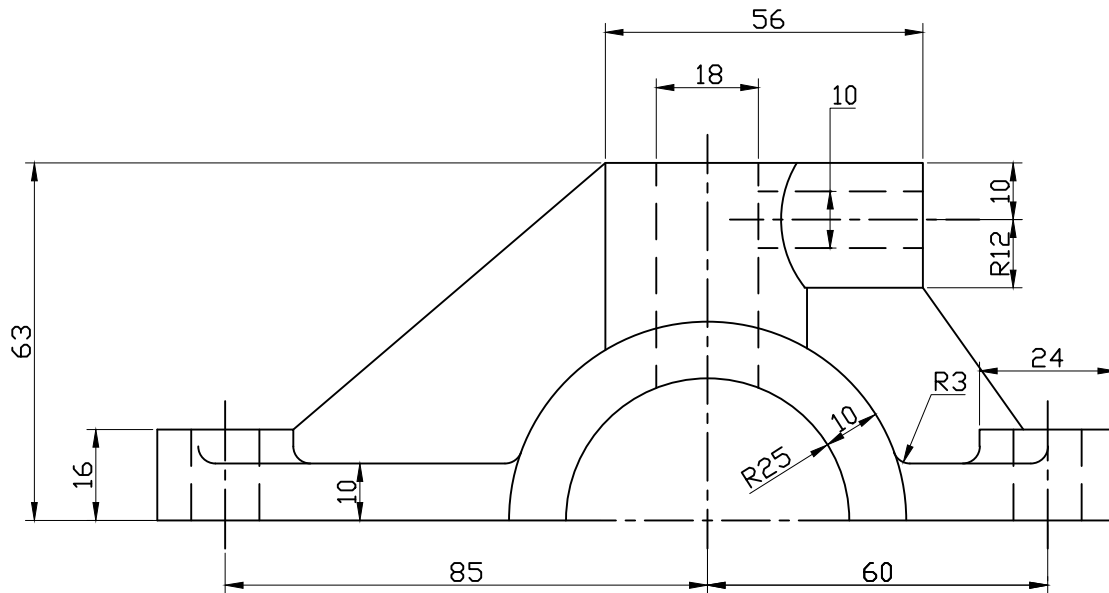




# Assignment No. 9



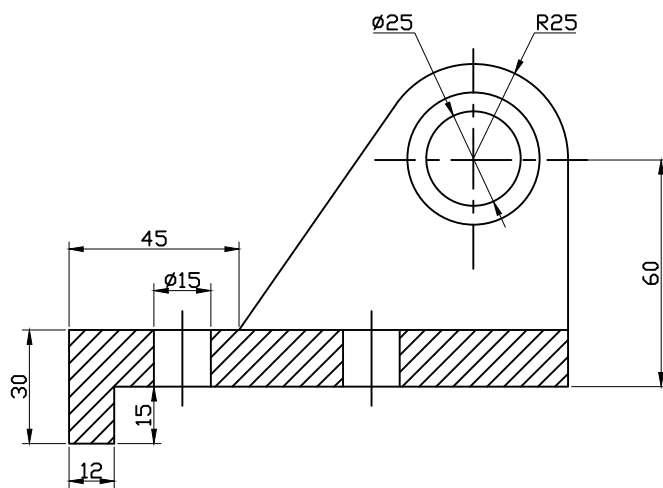
# Assignment No. 10



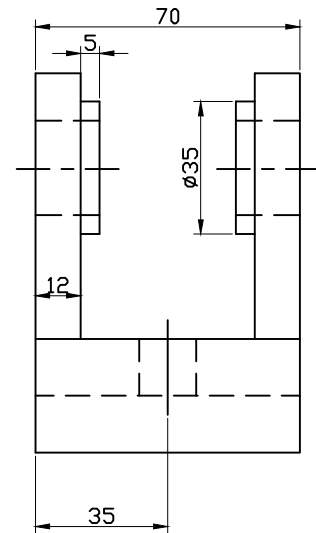


# Assignment No. 12

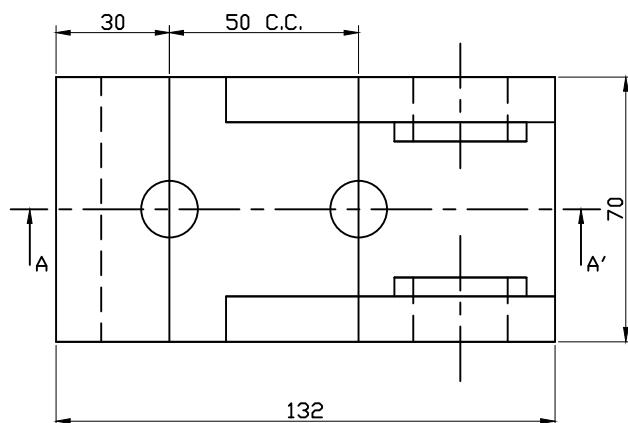
## ANCHOR BRACKET



SECTION VIEW A-A'



SIDE-VIEW

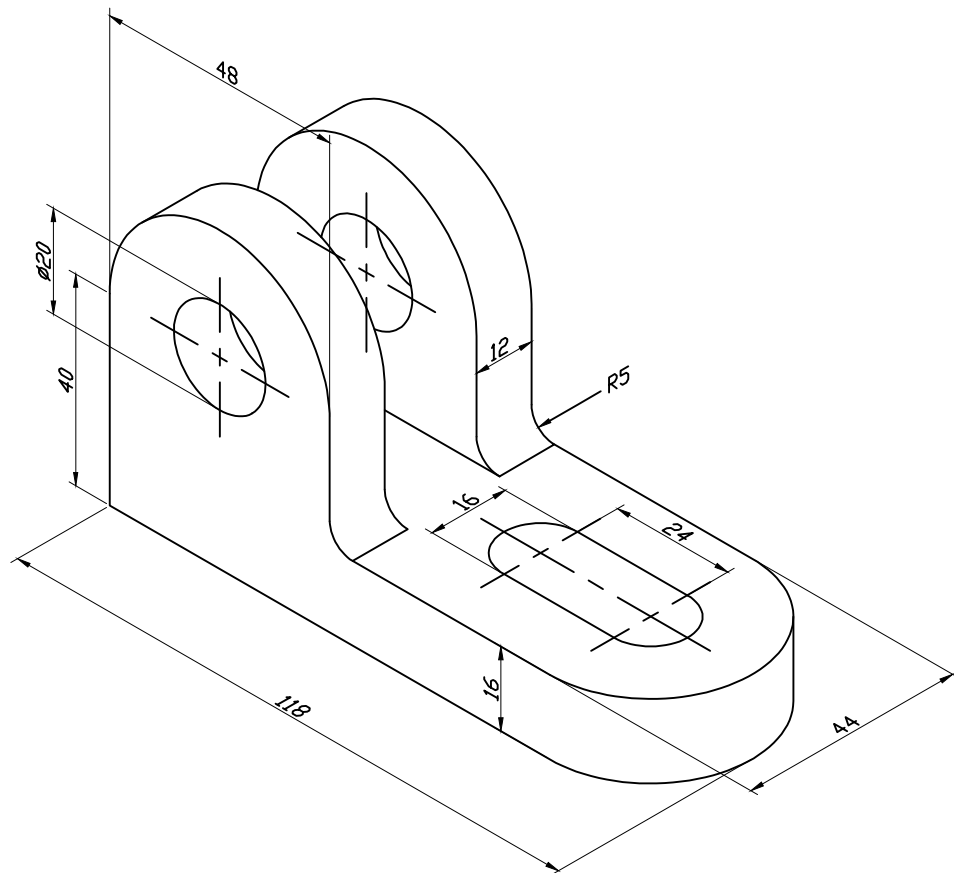
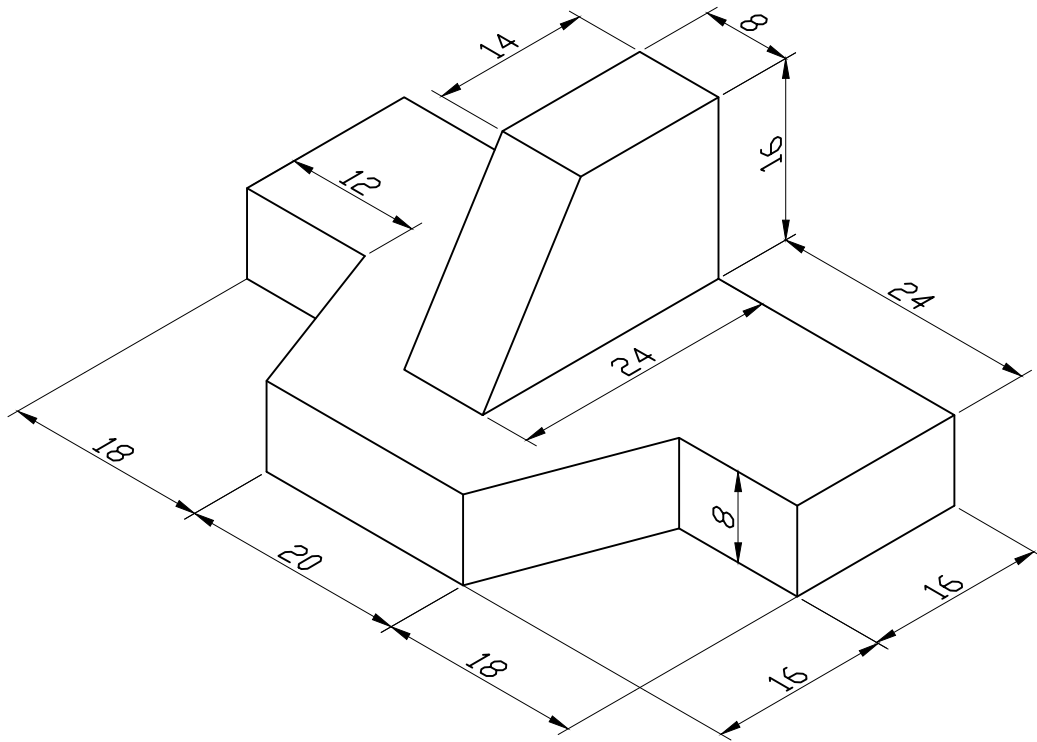


TOP-VIEW





# Assignment No. 15



# Assignment No. 16

