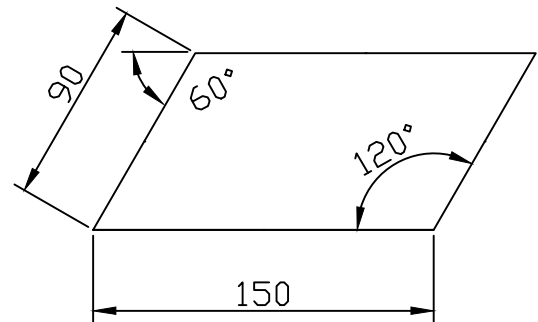
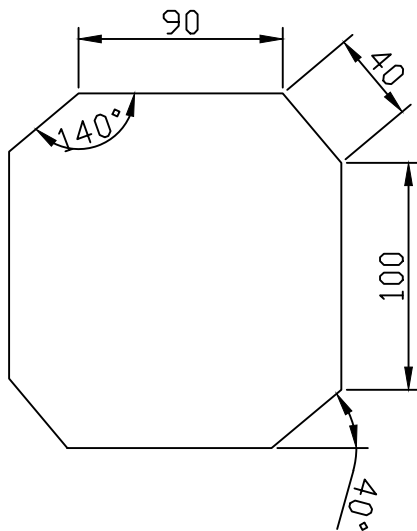
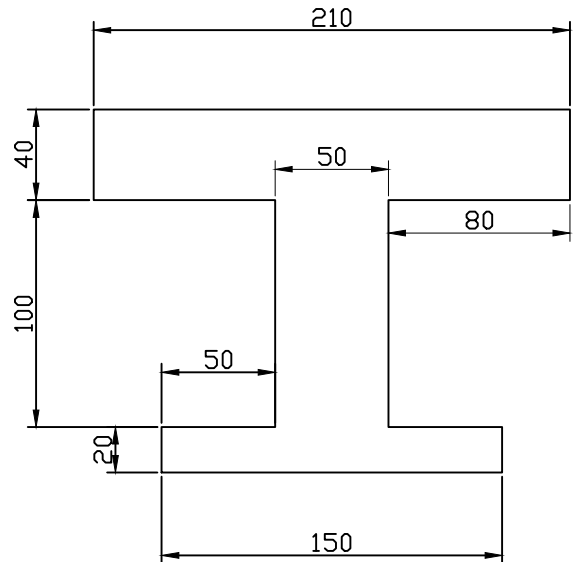
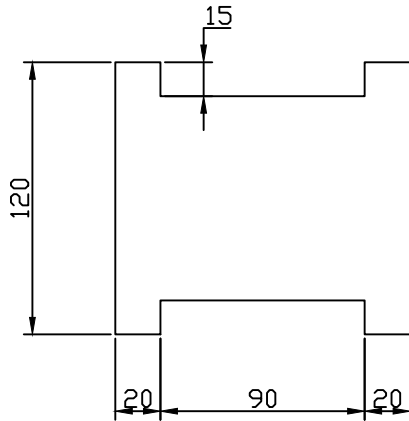
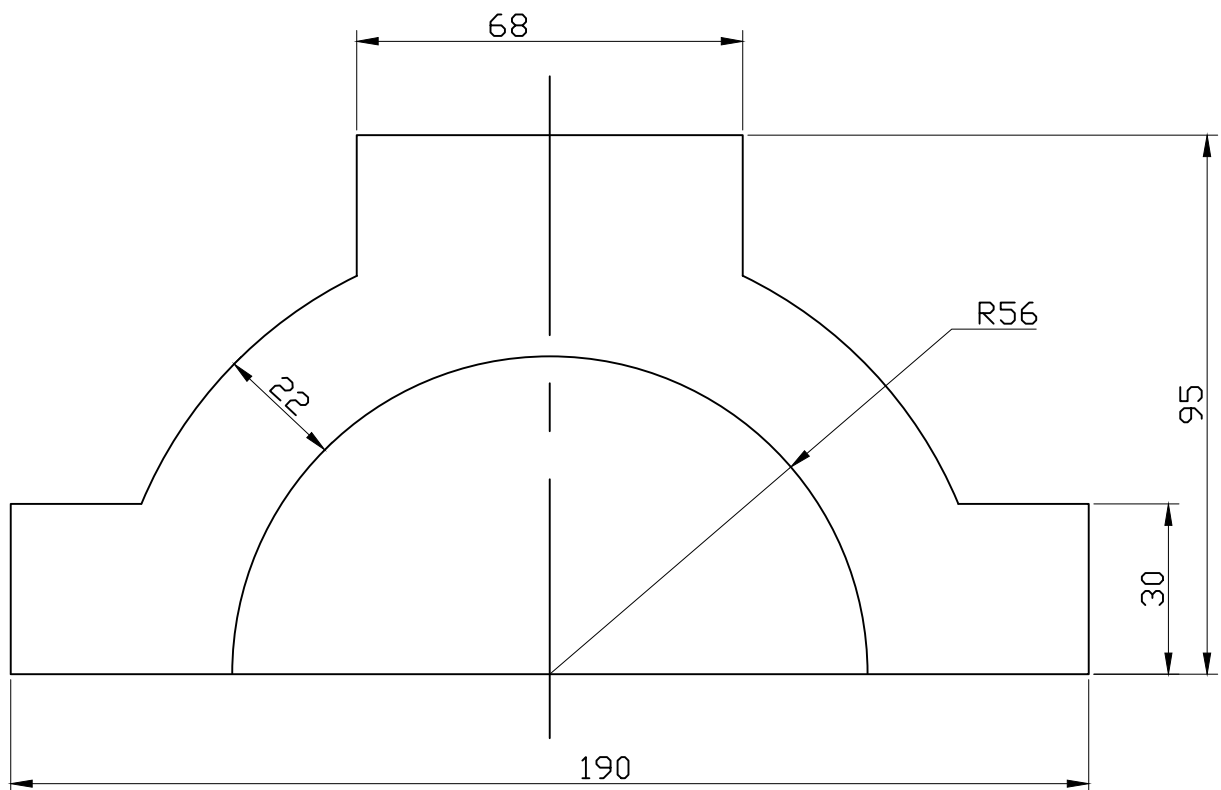
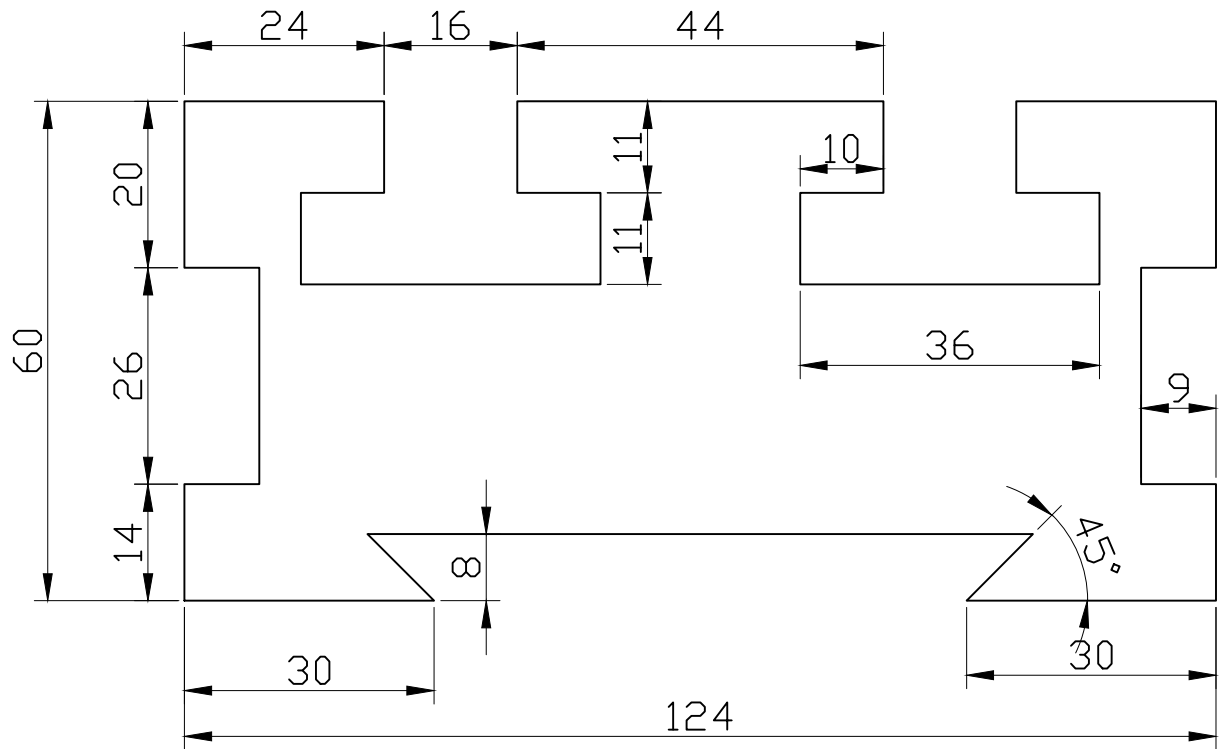


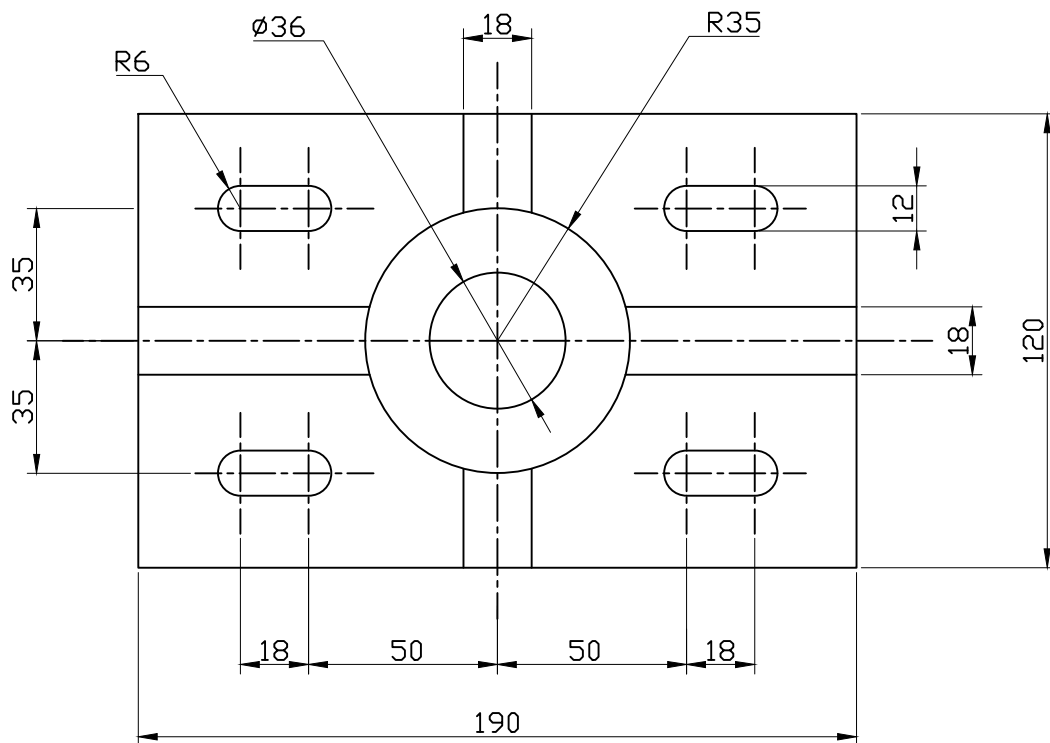
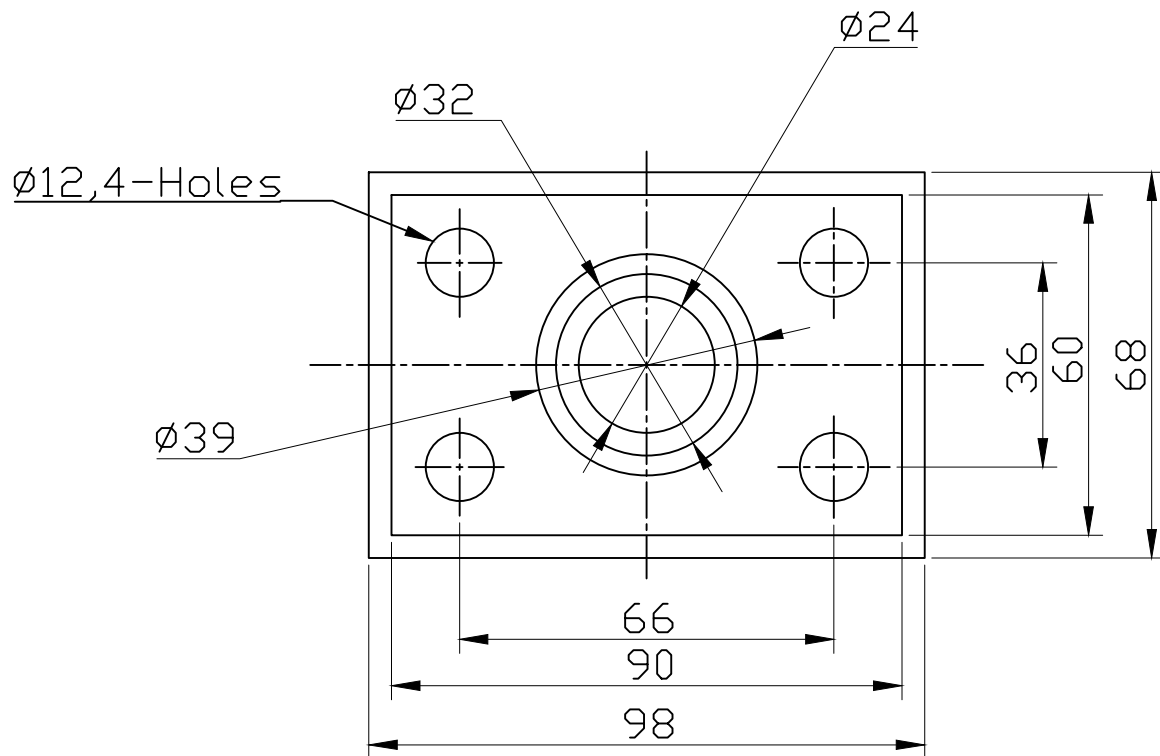
# Assignment No. 1



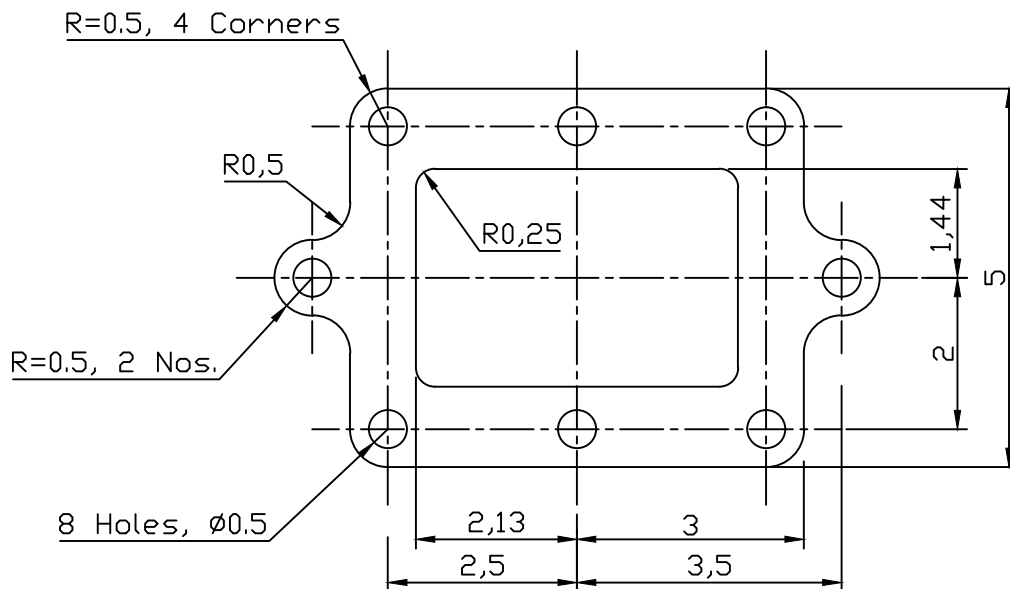
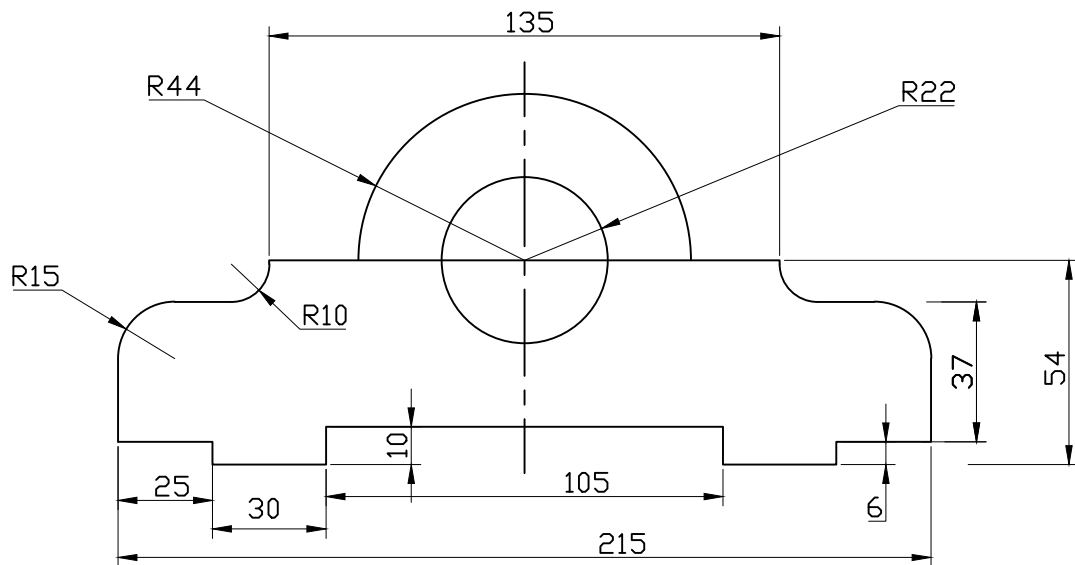
# Assignment No. 2



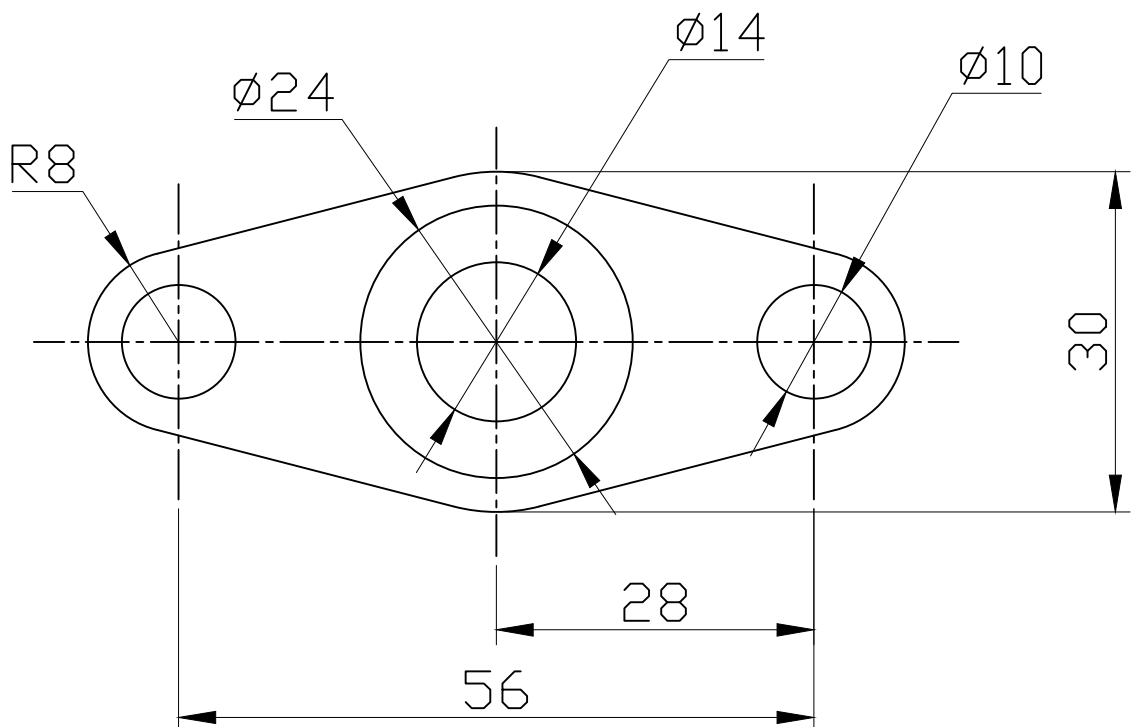
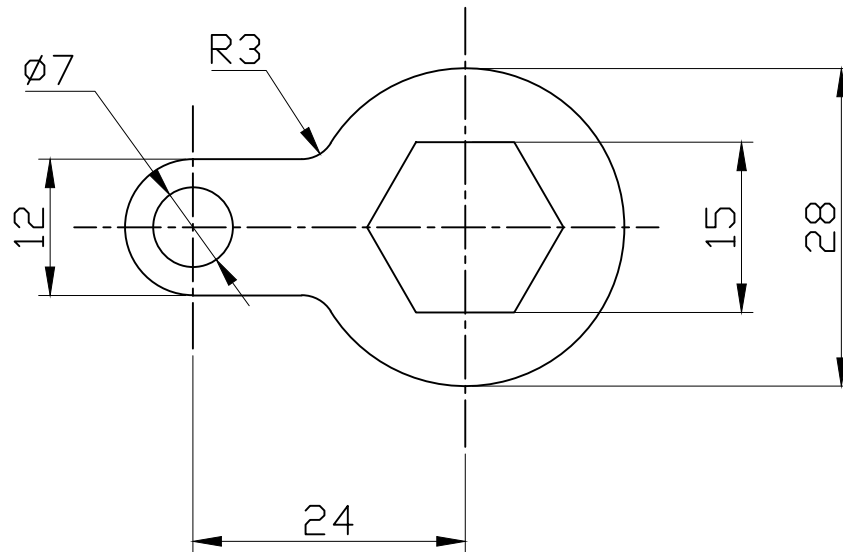
# Assignment No. 3



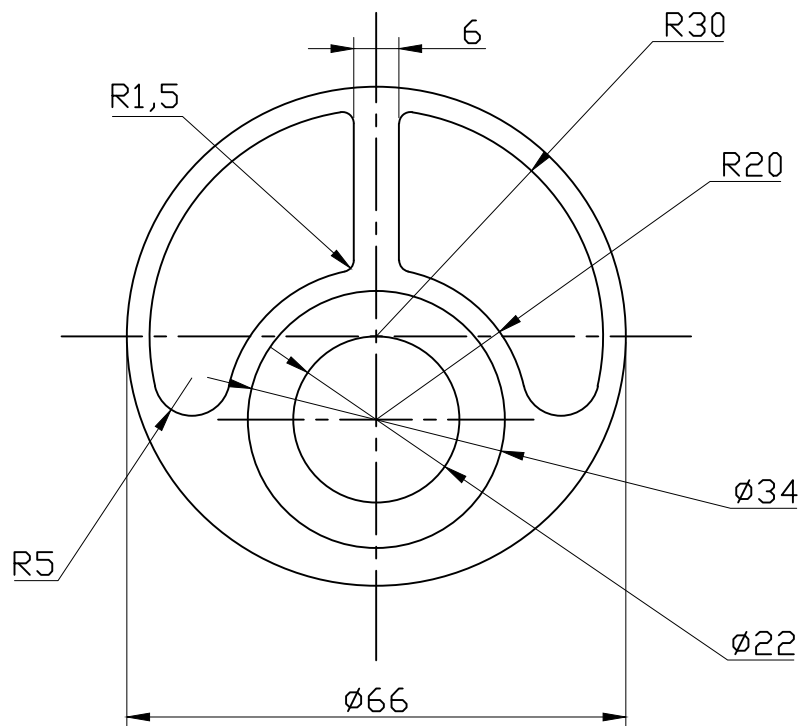
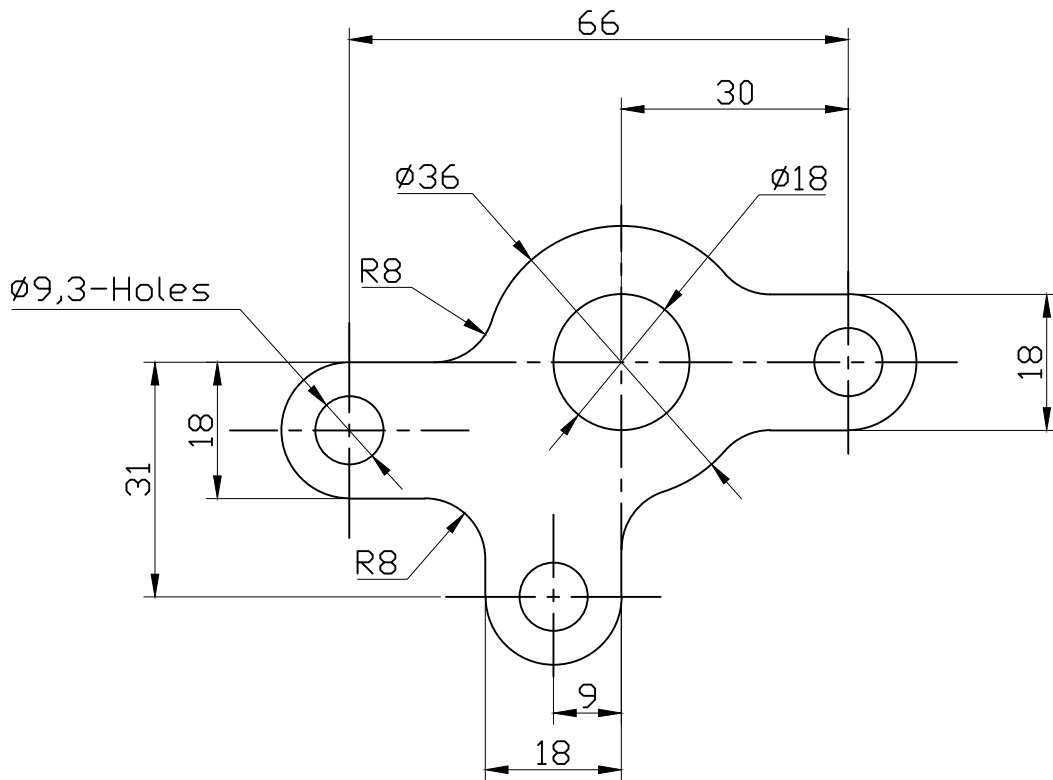
# Assignment No. 4



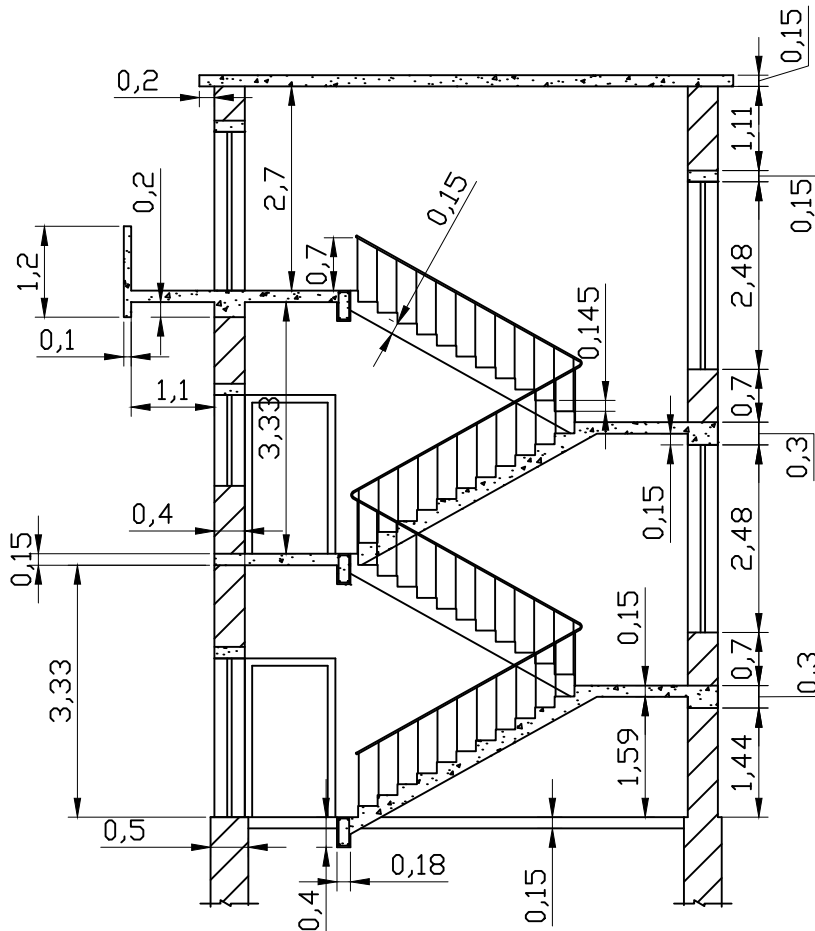
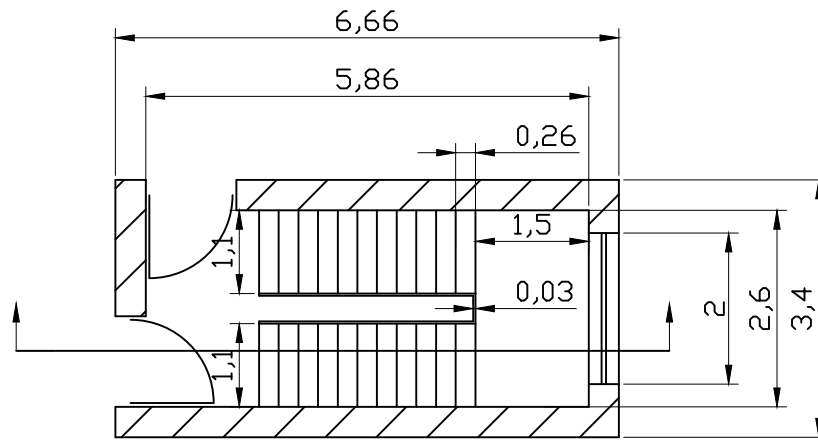
# Assignment No. 5



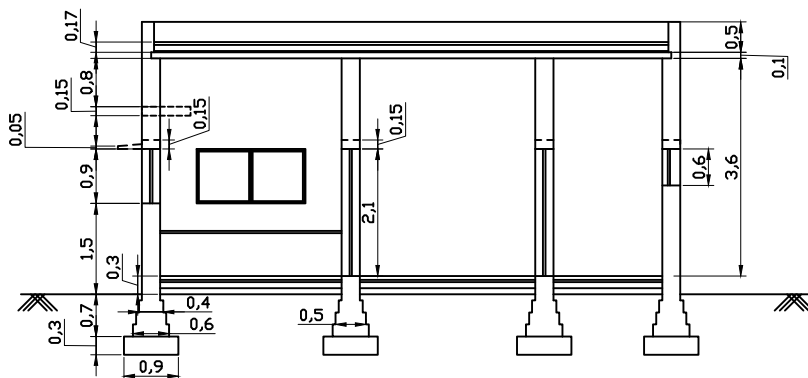
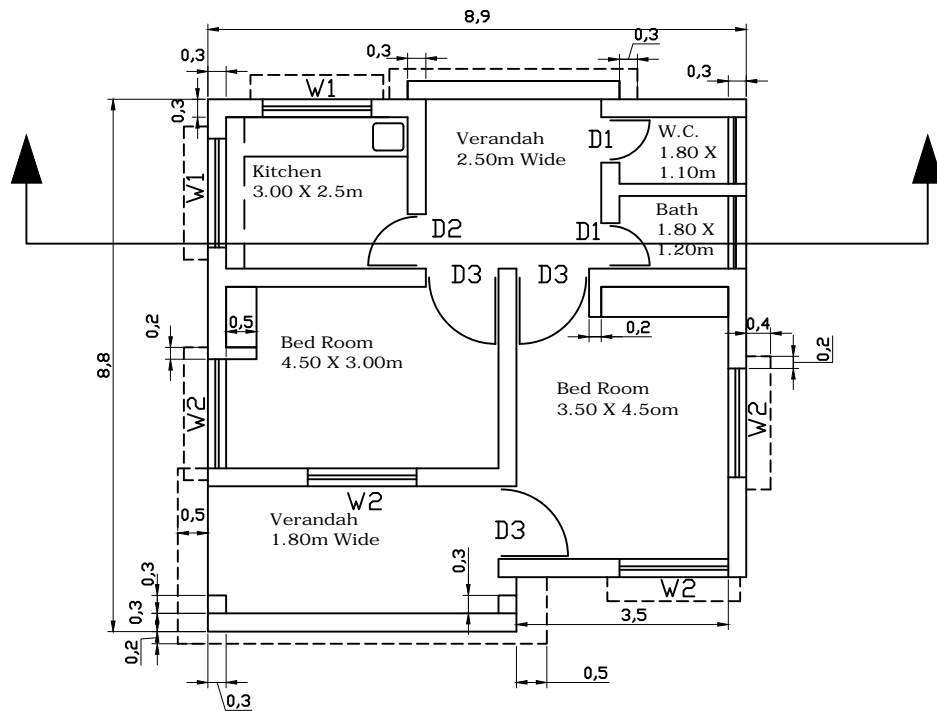
# Assignment No. 6



# Assignment No. 7



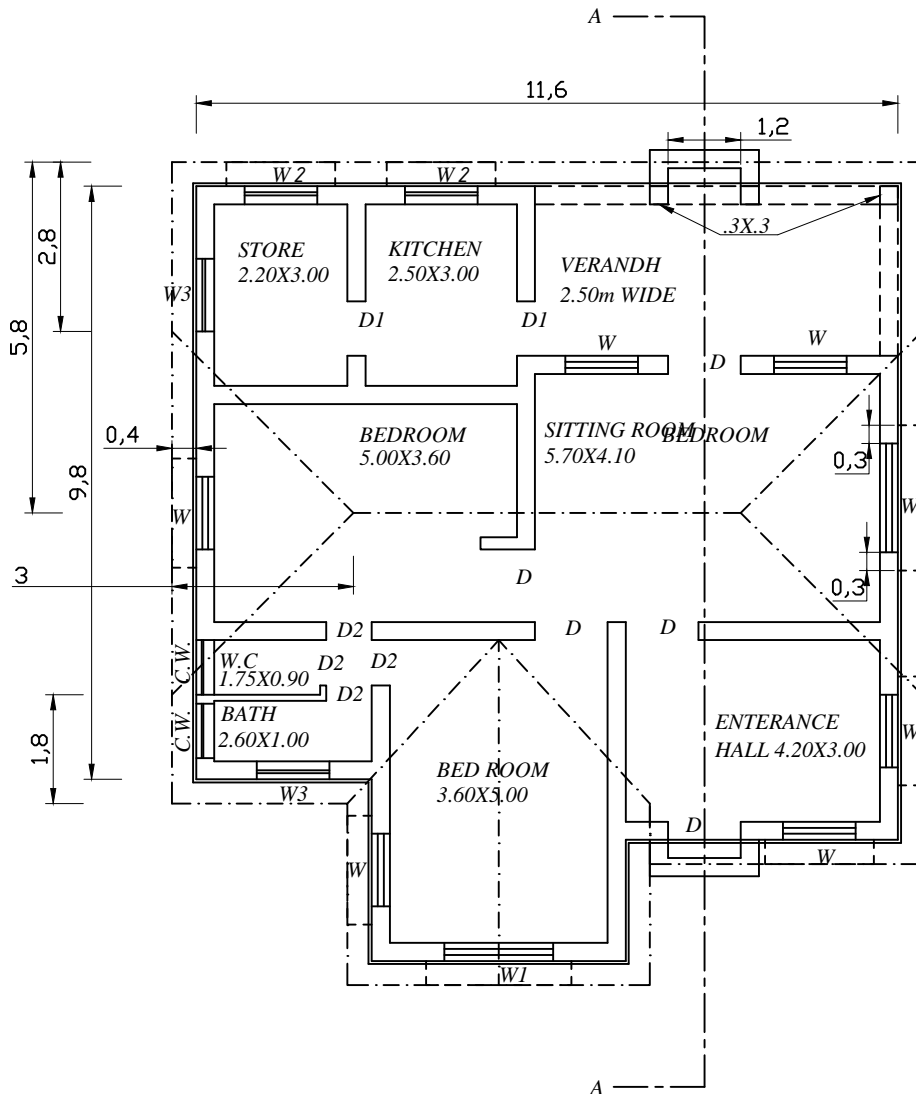
# Assignment No. 8



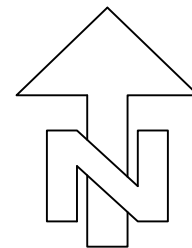
Doors And Windows		
Name	Symbol	Size
Door1	D1	0.75m X 2.10m
Door2	D2	0.90m X 2.10m
Door3	D3	1.20m X 2.10m
Window1	W1	1.80m X 0.90m
Window2	W2	1.80m X 1.30m
Lovered	V	1.20m X 0.60m



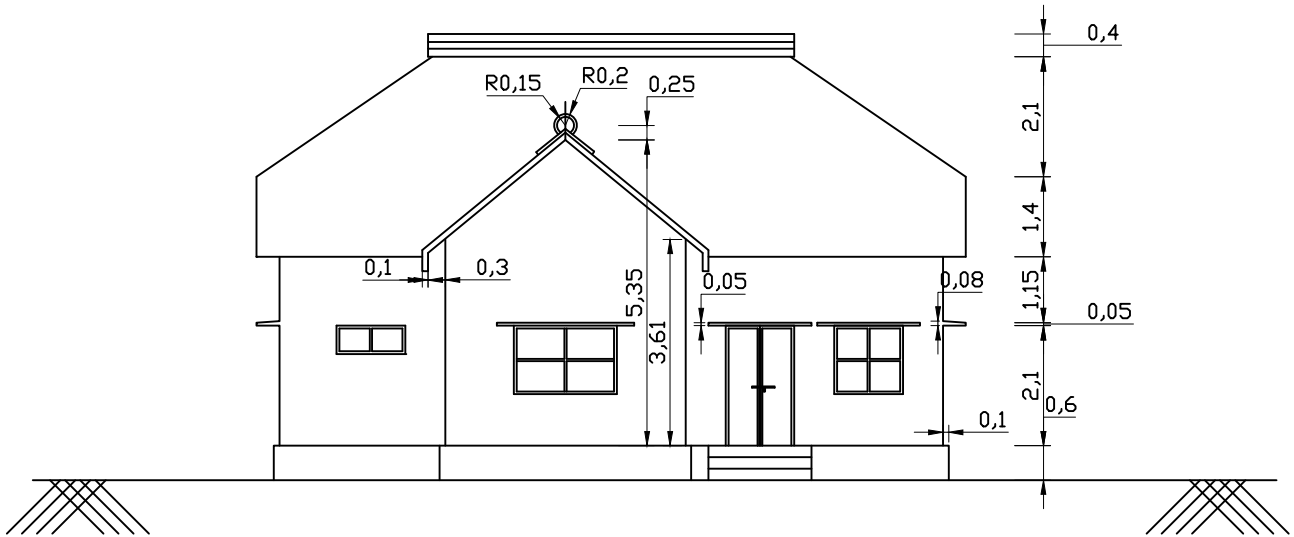
# Assignment No. 9-A



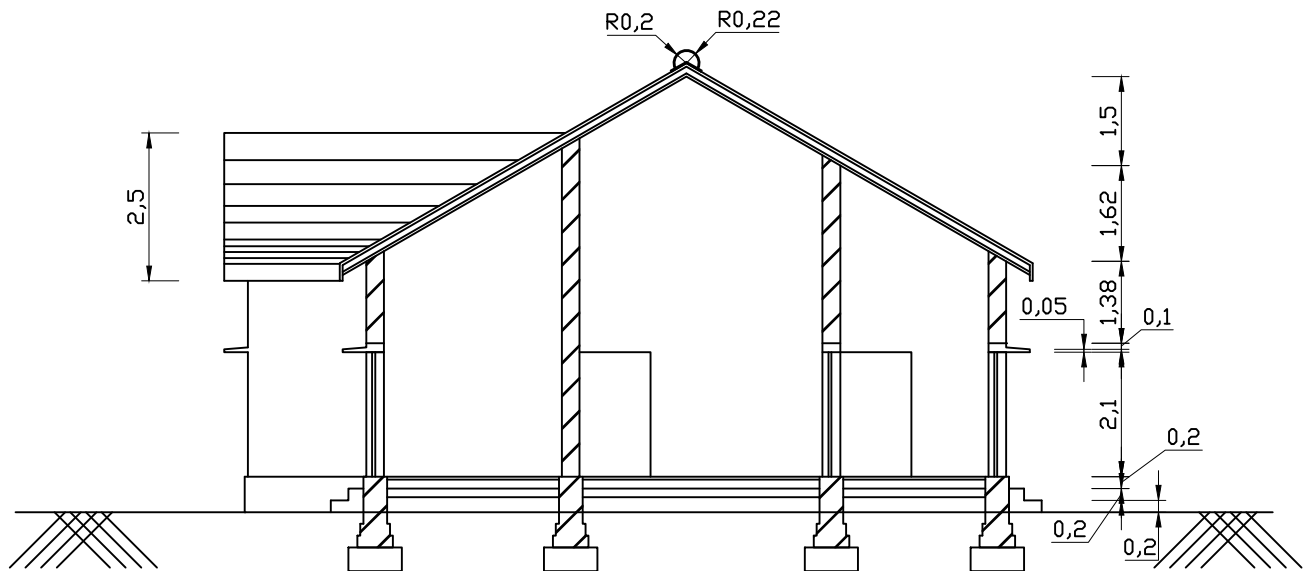
Doors And Windows		
Name	Symbol	Size
Door1	D1	1.2m X 2.1m
Door2	D2	0.9m X 2.10m
Door3	D3	0.75m X 2.1m
Window1	W1	1.20m X 1.20m
Window2	W2	1.80m X 1.20m
Window3	W3	1.20m X 0.50m
Lovered	C.W.	0.75m X 0.50m



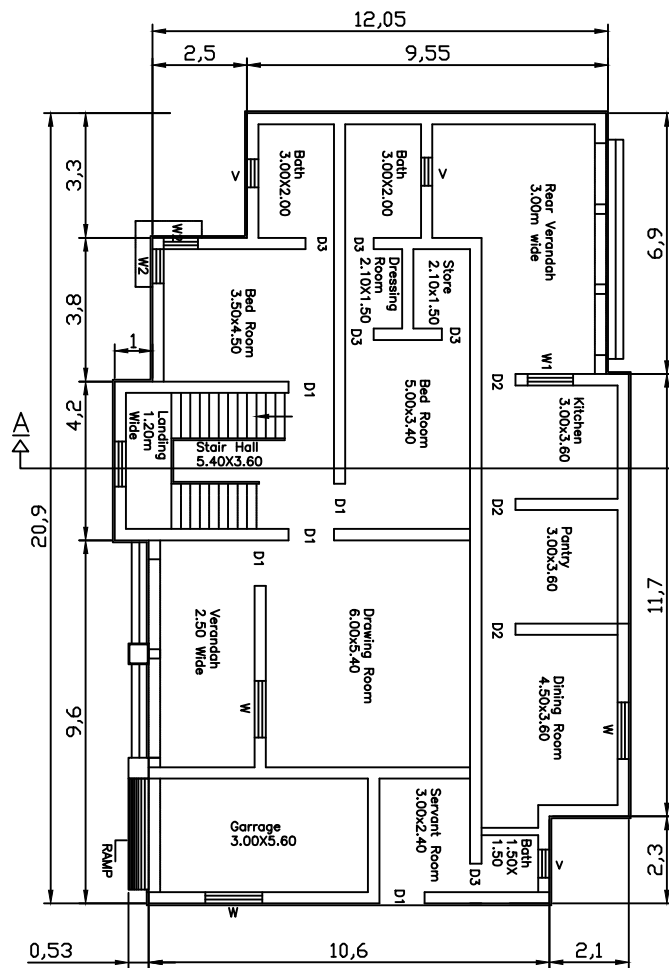
# Assignment No. 9-B



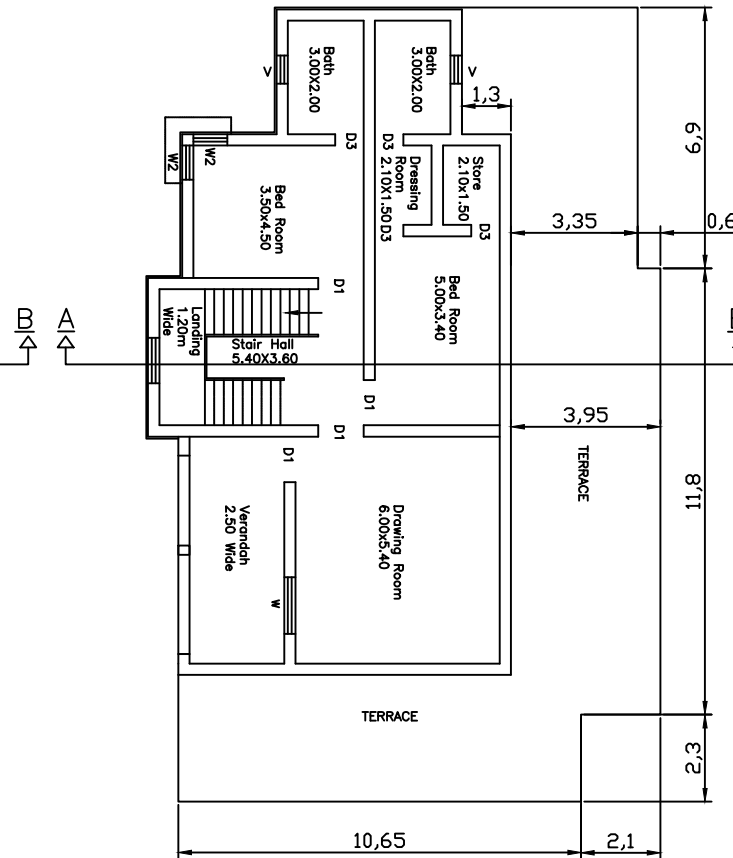
ELEVATION



SECTION A-A



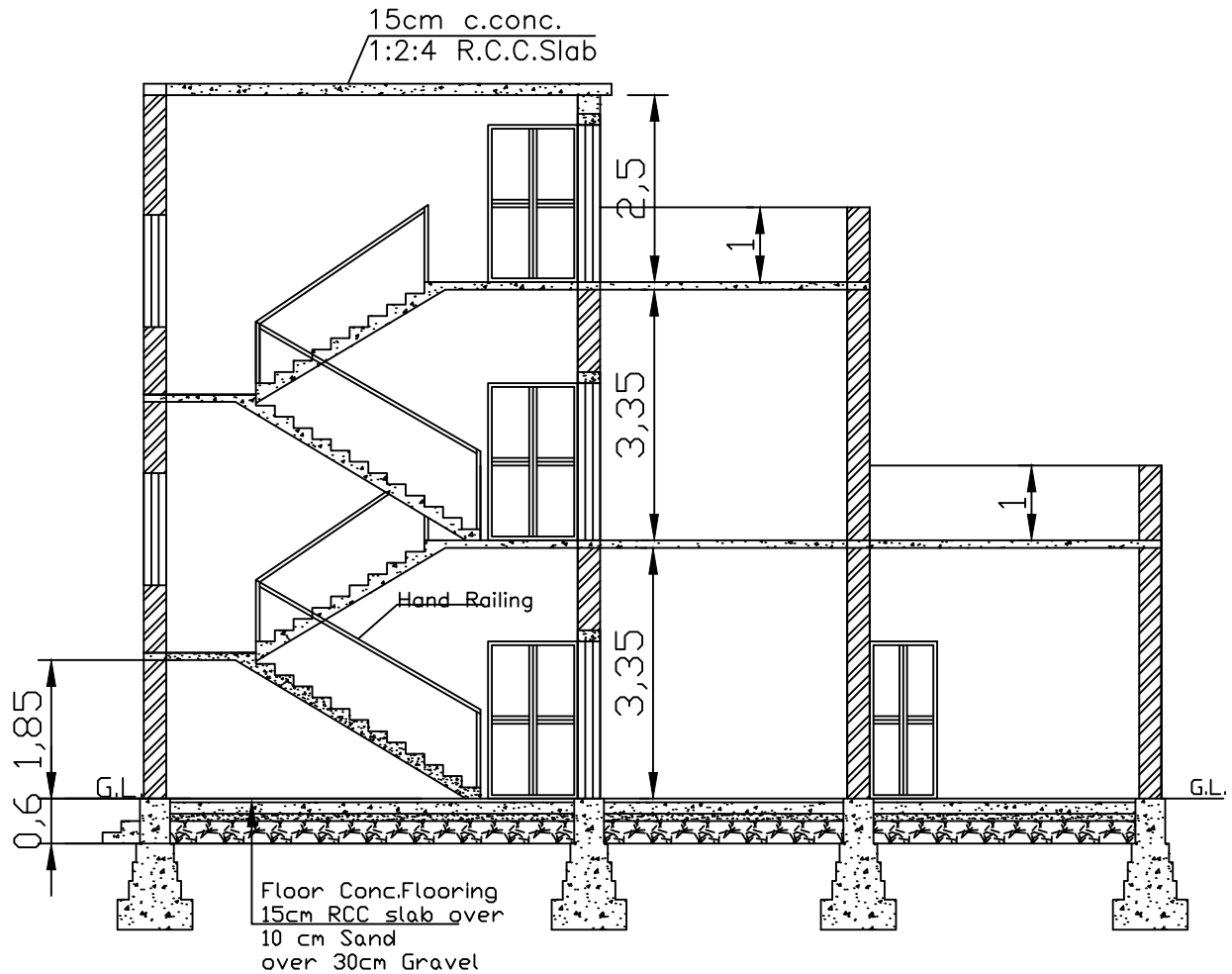
GROUND FLOOR PLAN



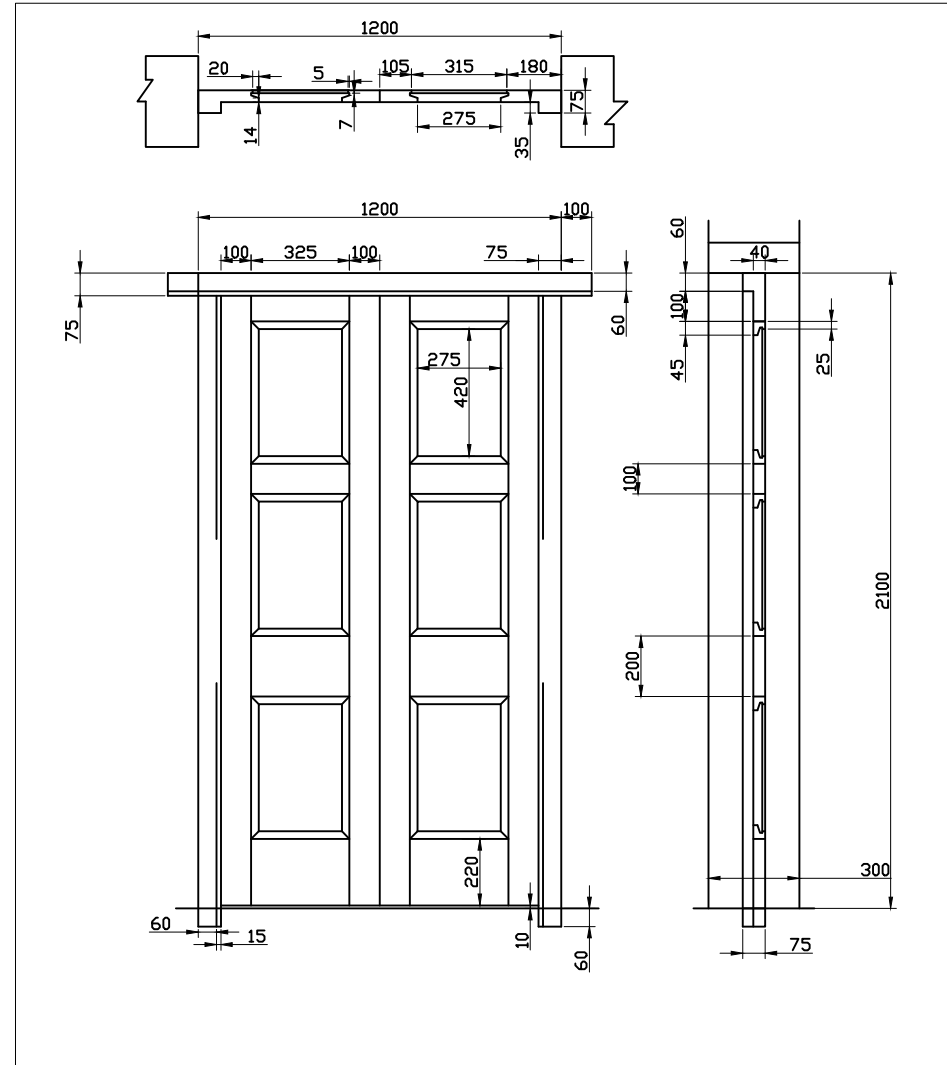
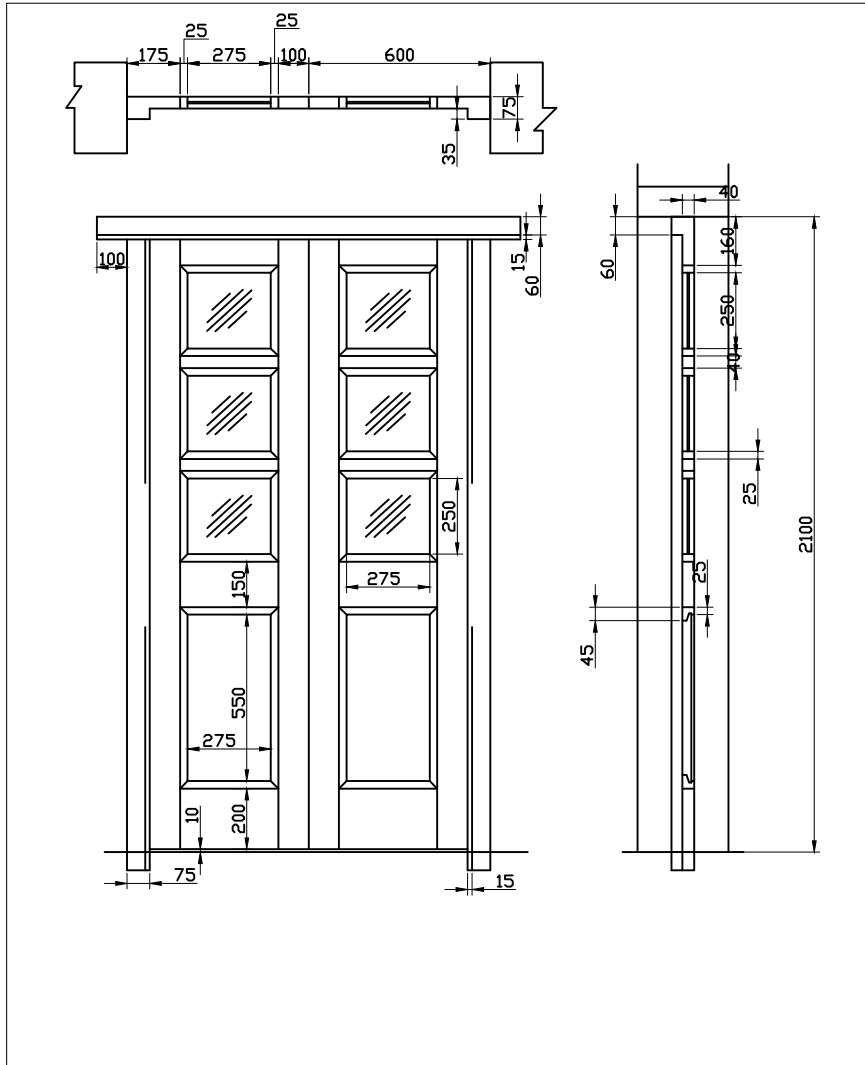
FIRST FLOOR PLAN

schedule of doors & windows		
Symbol	Name	Size
D1	Door1	1.2 X 2.1m
D2	Door2	0.9 X 2.1m
D3	Door3	0.75 X 2.1m
W1	Window1	1.50 X 1.2m
W2	Window2	1.2 X 1.2m
W3	Window3	0.9 X 1.2m
V	Ventilator	0.75 X 0.45m

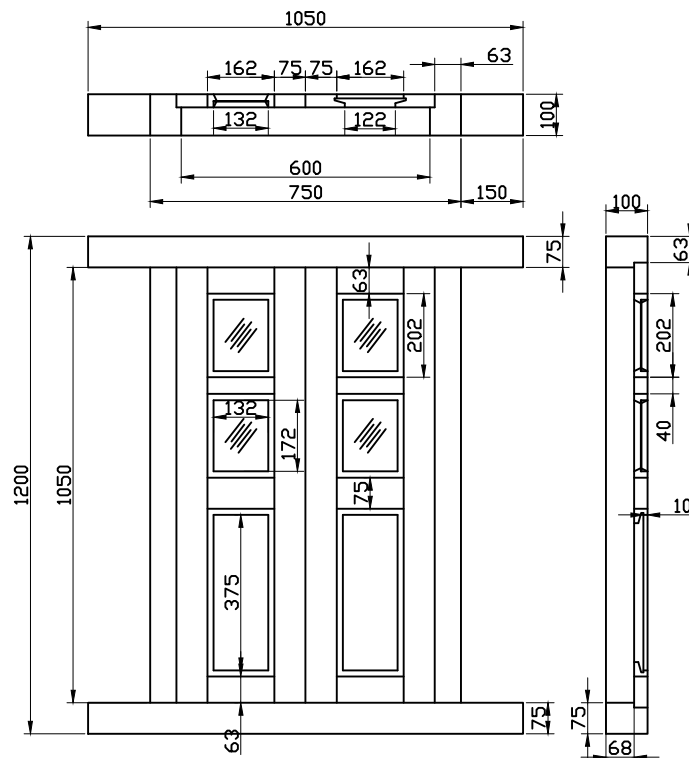
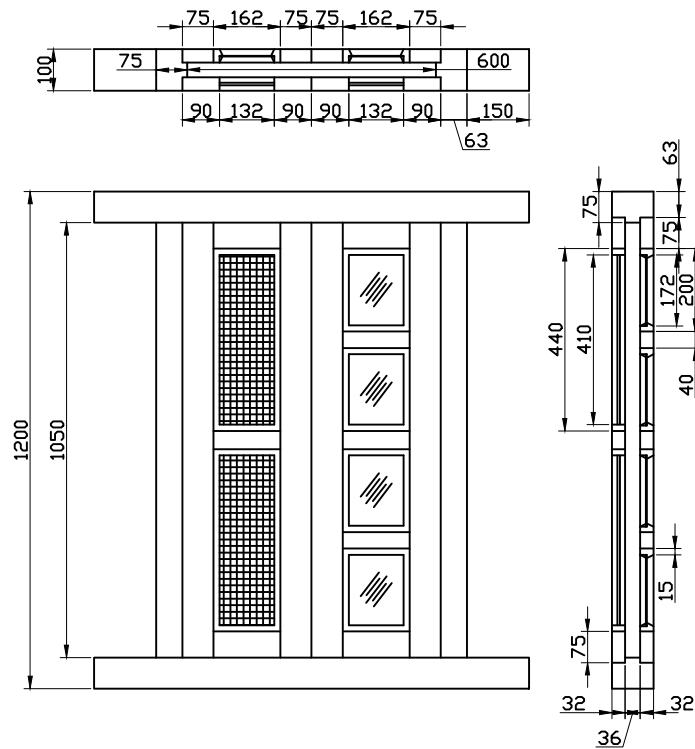
# Assignment No. 10 B



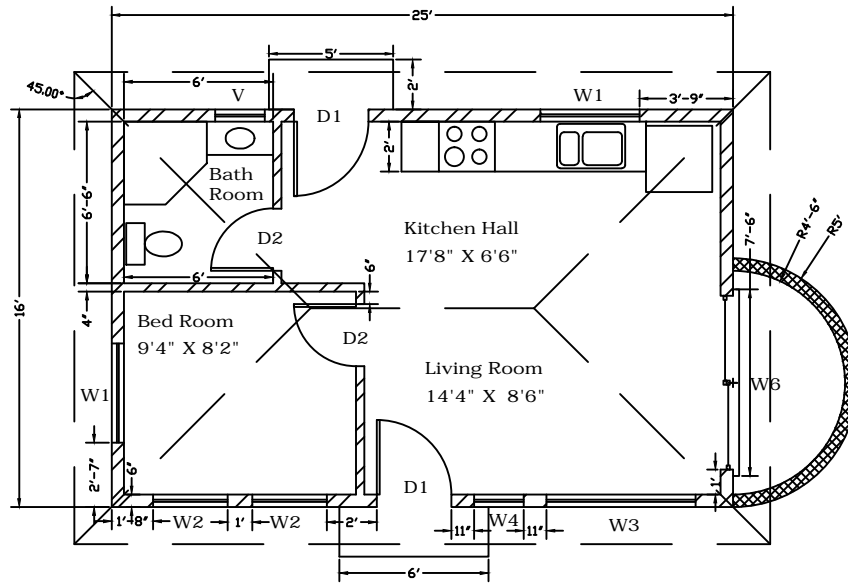
SECTION A-B



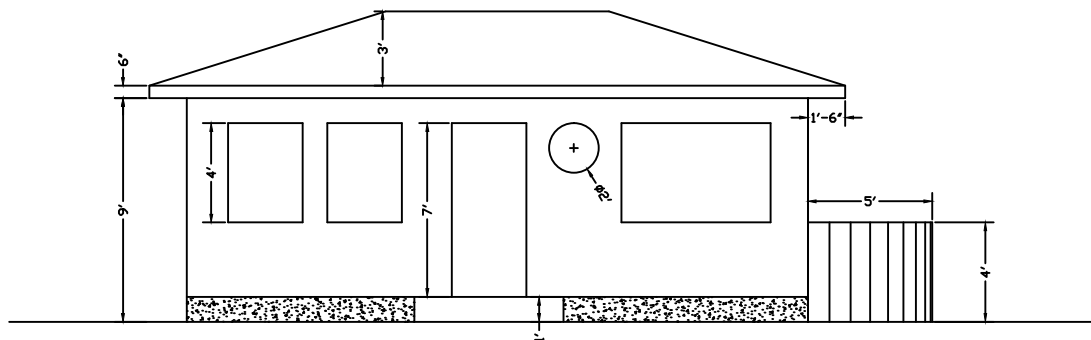
# Assignment No. 11-B



# Assignment No. 12



PLAN



ELEVATION

Doors And Windows		
Name	Symbol	Size
Door 1	D1	3'0" X 7'0"
Door 2	D2	2'6" X 7'0"
Window 1	W1	4"0" X 4'0"
Window 2	W2	3"0" X 4'0"
Window 3	W3	6"0" X 4'0"
Window 4	W4	Ø2'
Window 5	W6	7"0" X 7'0"
Louvered	V	2'0" X 3'0"